

REV.00
(07/2020)

TYPE 4020-4120

TAV.0

CATALOGO PARTI DI RICAMBIO
SPARE PARTS CATALOGUE
CATALOGUE PIECES DETACHEES
ERSATZTEILKATALOG
CATALOGO DE PIEZAS DE RICAMBIO
CATALOGO PEÇAS DE REPOSIÇÃO

TYPE 4020-4120
Glasswasher basket 40x40
Partial double skinned
Electronic controls

INFORMAZIONI GENERALI

- A. Il catalogo serve per richiedere con esattezza le parti di ricambi, in base al **MODEL** indicato nella matricola della macchina. Negli ordini indicare la posizione, il codice, la descrizione e la quantità delle parti di ricambio;
- B. I disegni delle parti di ricambio sono indicativi e NON rappresentano il pezzo reale;
- C. I dati contenuti in questo catalogo sono indicativi e possono essere soggetti a modifiche senza preavviso.

GENERAL INFORMATION

- A. This catalog order exactly the right spare parts, according to the **MODEL** indicated on the identification plate of the machine. When ordering, specify the position, the code, the description and the quantity of spare parts;
- B. The spare parts drawings are general and DO NOT represent the real part;
- C. The contents of this catalog are general, and can undergo changes without prior notice.

INFORMATIONS GÉNÉRALES

- A. Ce catalogue est utilisé pour commander exactement les pièces détachées, selon le **MODEL** indiqué sur la plaque d'identification de la machine. Les commandes doivent indiquer la position, le code, la description et la quantité des pièces détachées;
- B. Les dessins des pièces détachées sont indicatif, et NE représentent pas le pièces concernée;
- C. Les données de ce catalogue sont citées seulement à titre indicatif et peuvent être l'objet de modifications sans avis préalable.

LETTURA DELLA MATRICOLA MACCHINA

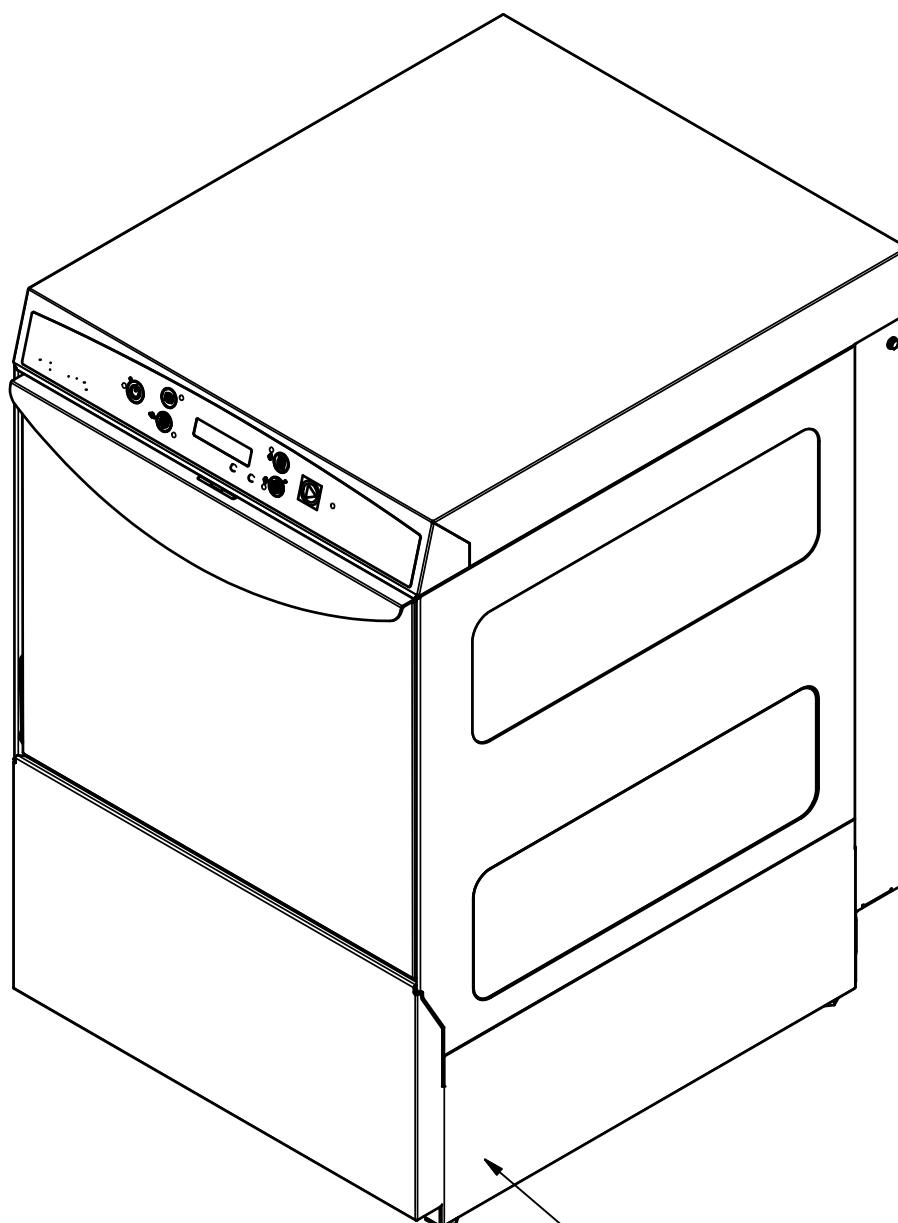
CONSTRUCTION OF MACHINE ID NUMBER

LECTURE DONNÉE DE LA MACHINE

DATI IDENTIFICATIVI
IDENTIFICATION DATA
DONNÉES D'IDENTIFICATION

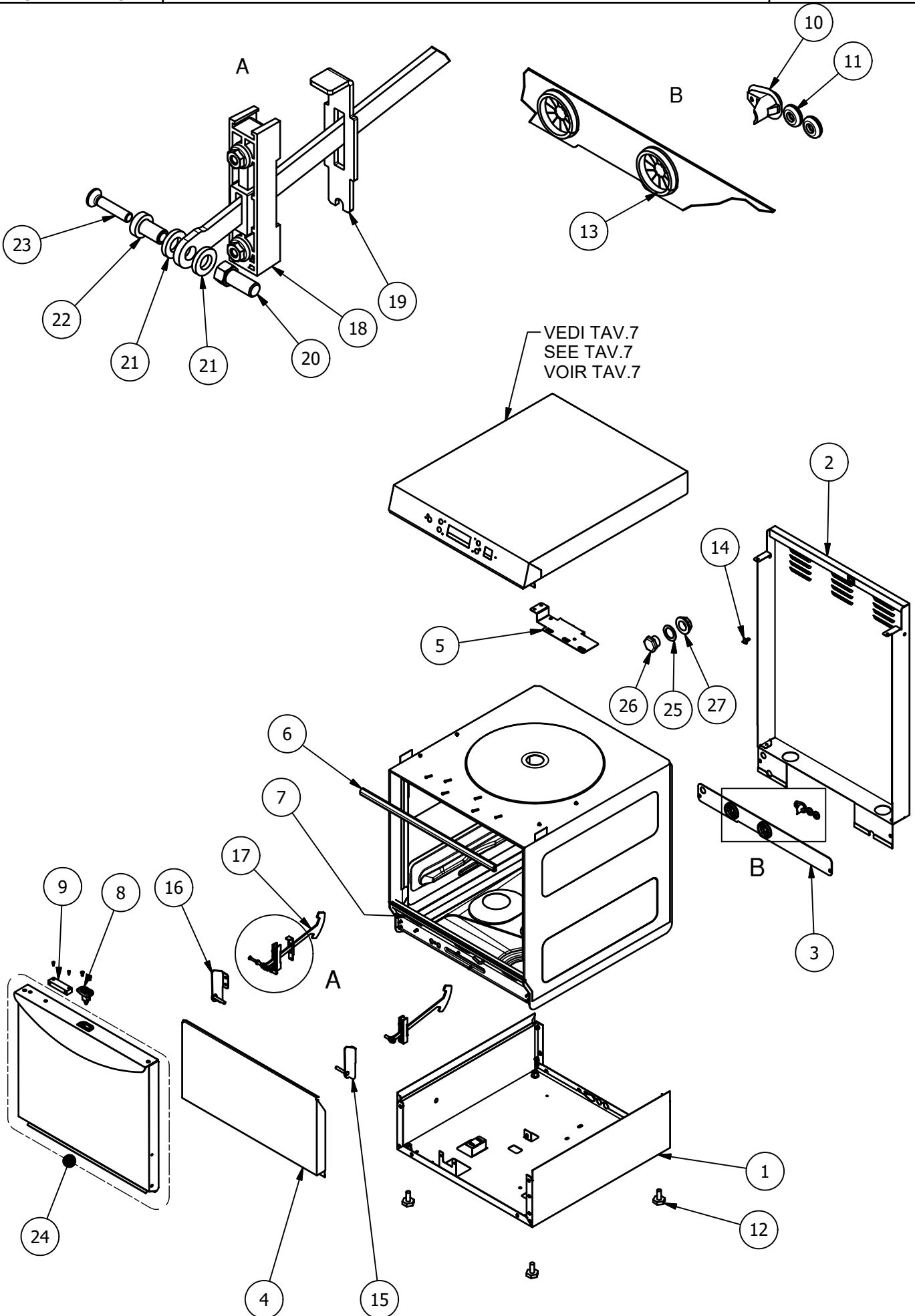
| | |
|--|---|
| LOGO FABBRICANTE MANUFACTURER LOGO | INDIRIZZO FABBRICANTE MANUFACTURER ADDRESS |
| MODEL TYPE CODE 1234-123456 SERIAL No. YYYYYYYY ARTICLE | 220-240V~50Hz 14A Power 3185 W IP25 |
| WATER SUPPLY 200+500 kPa/MAX 50°C Electronic code: XXXX PW: XXXX | |
| | |

DATI TECNICI
TECHNICAL SPECIFICATIONS
DONNÉES TECHNIQUES



MATRICOLA
IDENTIFICATION PLATE
PLAQUE D'IDENTIFICATION

| | | | |
|-------|--------------------------------------|--------------------------------------|---|
| TAV 1 | CARROZZERIA | BODY | CARROSSERIE |
| TAV 2 | COMPONENTI ELETTRICI | ELECTRICAL COMPONENTS | COMPOSANTS ÉLECTRIQUES |
| TAV 3 | COMPONENTI IDRAULICI | HYDRAULIC COMPONENTS | COMPOSANT HYDRAULIQUES |
| TAV 4 | BRACCI LAVAGGIO / RISCIAQUO | WASH/RINSE ARMS | BRAS DE LAVAGE ET RINÇAGE |
| TAV 5 | POMPA DI SCARICO | DRAIN PUMP | POMPE DE VIDANGE |
| TAV 6 | ADDOLCITORE | WATER SOFTNER | ADOUCESSEUR |
| TAV 7 | PANNELLO DI CONTROLLO | FRONT PANEL | PANNEAU DE CONTROLE |
| TAV 8 | POMPA DI LAVAGGIO | WASHING PUMP | POMPE DE LAVAGE |
| TAV 9 | DOSATORE DETERGIVO E BRILLANTANTE | DETERGENT AND RINSE AID DISPENSER | DOSEURS PRODUIT DE LAVAGE ET RINÇAGE |

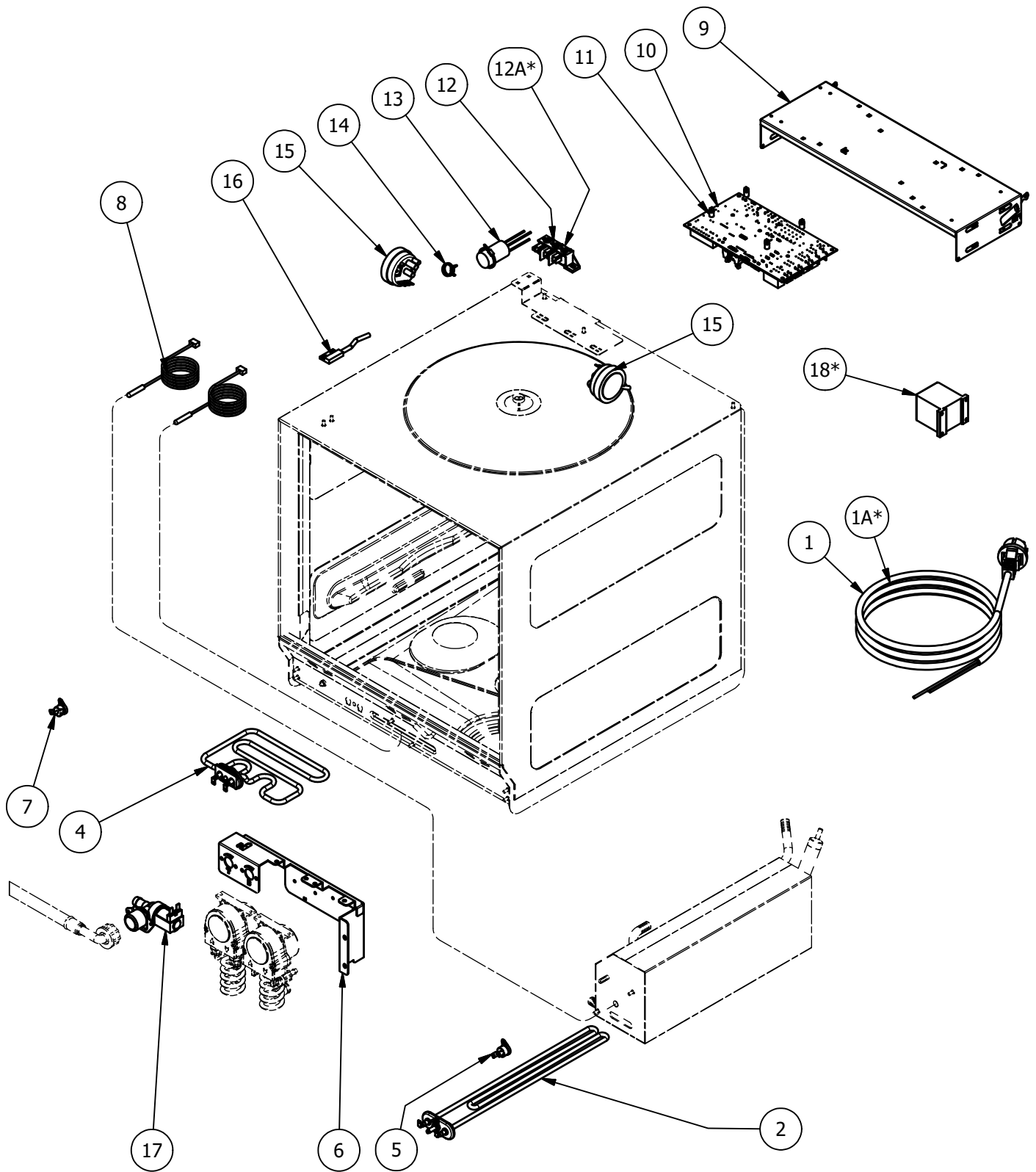


REV.00
(07/2020)TYPE 4020-4120
CARROZZERIA - BODY - CARROSSERIE

TAV.1_2

| ELEM. | CODICE | DA/FROM MATR. | DESCRIZIONE | DESCRIPTION [EN] | DESCRIPTION [FR] | U.M. |
|-------|------------|------------------|---|---|--|------|
| 1 | 0640200003 | | ASS. BASAMENTO | BASE ASSY | ENS. CARTER INFÉRIEUR | No. |
| 2 | 1640200001 | | SCHIENALE INTERO | REAR PANEL | PANNEAU ARRIÈRE | No. |
| 3 | 3012-0003 | | SCHIENALE INFERIORE | LOWER REAR PANEL | PANNEAU ARRIÈRE INFÉRIEUR | No. |
| 4 | 1740700001 | | PANN. SOTTOPORTA INFERIORE | LOWER TRIM PANEL | PANNEAU DE PORTE INFÉRIEUR | No. |
| 5 | 0235400001 | | STAFFA SUPPORTO PRESS. E MORSETTIERA | PRESSOST. AND TERMINAL BOARD SUPPORT | SUPPORT POUR COMMUTATEUR DE PRESSION ET TERMINAL | No. |
| 6 | 00017706 | | GUARNIZIONE PORTA L=450mm | DOOR GASKET L=450mm | JOINT DE PORTE L=450mm | No. |
| 7 | 00004084 | | GUARN. GOMMA EPDM ESPANS. 20x2mm L=448 (*) | EPDM GASKET 20x2mm L=448 (*) | JOINT DU EPDM 20x2mm L=448 (*) | No. |
| 8 | 0161100002 | | ASS. SCROCCO PORTA (*) | DOOR JACK ASSY (*) | ENSEMBLE PORTE DE SERRURE (*) | No. |
| 9 | 00005679 | | UNITA' MAGNETICA RETT. (*) | MAGNETIC UNIT (*) | AIMANT UNIT (*) | No. |
| 10 | 00000612 | | FERMACAVO | CABLE CLAMP | COLLIER DE SERRAGE CABLE | No. |
| 11 | 2005-0005 | | PASSACAVO PVC | CABLE GUIDE | GUIDE DU CABLE | No. |
| 12 | 00006662 | | PIEDINO REGOLABILE (*) | ADJUSTABLE FOOT (*) | PIED REGLABLE (*) | No. |
| 13 | 00017100 | | PASSACAVO RIGIDO | RIGID CABLE GUIDE | GUIDE DU CABLE | No. |
| 14 | 00015239 | | CHIUSURA MASCHIO PER FISSAGGIO | MALE PLASTIC LATCH | FERMETURE POUR FIXATION | No. |
| 15 | 0166300002 | | ASS. STAFFA DX CERNIERA | RH MOUNTAIN BRACKET ASSY | ENS. LEVIER DE CHARNIÈRE DROITE | No. |
| 16 | 0166400002 | | ASS. STAFFA SX CERNIERA | LH MOUNTAIN BRACKET ASSY | ENS. LEVIER DE CHARNIÈRE GAUCHE | No. |
| 17 | 1200100002 | | ASTA CERNIERA PORTA | DOOR TENSIONER | TIGE DE LA CHARNIERE | No. |
| 18 | 1120600002 | | GUIDA TIRANTE PORTA | TENSIONER GUIDE | GUIDE SUPP. CHARNIÈRE PORTE | No. |
| 19 | 0780100002 | | BATTUTA TIRANTE PORTA | BLOCK FOR DOOR TENSIONER | FERME DU TIGE | No. |
| 20 | 0430800001 | | PERNO TIRANTE | TENSIONING PIN | ÉPINGLE | No. |
| 21 | 0111200001 | | RONDELLA | DOOR ROD WASHER | RONDELLE | No. |
| 22 | 1870100002 | | PERNO CON TESTINA | LINCHPIN | ÉPINGLE | No. |
| 23 | 1002-0002 | | VITE TCPS M4x20 INOX | S.S. M4x20 TCPS SCREW | VIS TCPS M4x20 INOX | No. |
| 24 | 8307-0010 | | ASS. PORTA COMPLETA | COMPLETA DOOR ASSY | ENSEMBLE DE PORTE COMPLET | No. |
| 25 | 00003086 | | GUARNIZIONE GOMMA | RUBBER GASKET | JOINT | No. |
| 26 | 2006-0002 | | TAPPO 3/4" PP | CAP 3/4" PP | BOUCHON 3/4" PP | No. |
| 27 | 2019-0002 | | GHIERA 3/4" PP | THREADED RING FOR CAP 3/4" PP | BAGUE POUR BOUCHON 3/4" PP | No. |

(*) RICAMBI CONSIGLIATI / RECOMMENDED SPARE PARTS / PIÈCES DÉTACHÉES RECOMMANDÉES



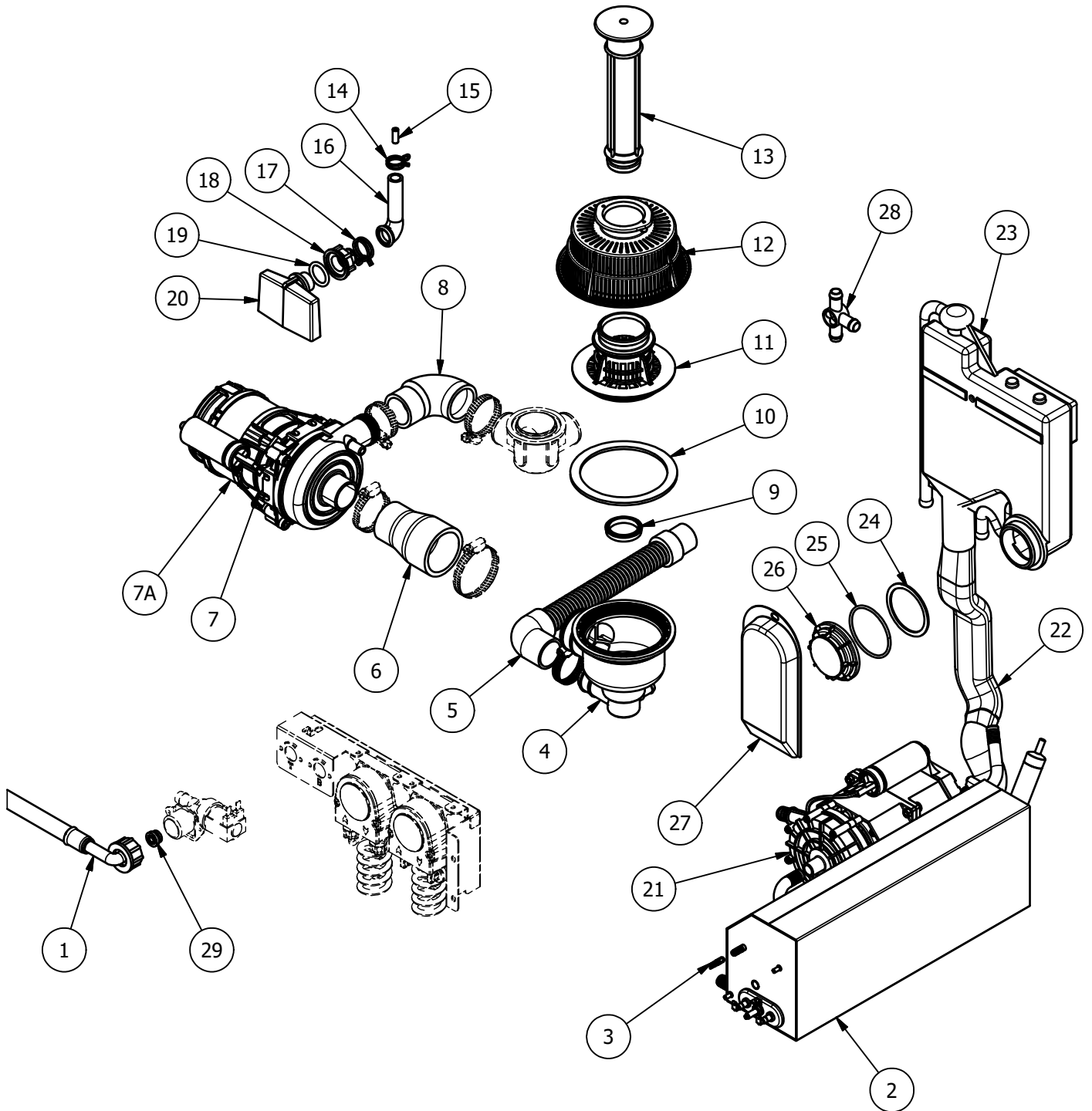
* NB: ATTENZIONE SE VERSIONE 400V 3N
* NB: ATTENTION IF VERSION 400V 3N
* NB: ATTENTION SI VERSION 400V 3N

REV.00
(07/2020)TYPE 4020-4120
COMPONENTI ELETTRICI - ELECTRICAL COMPONENTS - COMPOSANT ELECTRIQUES

TAV.2_2

| ELEM. | CODICE | DA/FROM MATR. | DESCRIZIONE | DESCRIPTION [EN] | DESCRIPTION [FR] | U.M. |
|-------|------------|------------------|---|--|--|------|
| 1 | 00014685 | | CAVO ALIMENTAZIONE 3G1.5 H07RN-F 3m SCHUKO | POWER CABLE 3G 1.5 WITH SCHUKO SOCKET | CABLE D'ALIMENTATION 3G 1.5 AVEC SCHUKO | No. |
| 1A | 00002776 | | CAVO ALIMENTAZIONE 5G2.5 H07RN-F 3.6m PER VERS. 400V 3N | POWER CABLE 5G 2.5 FOR VERS. 400V 3N | CABLE D'ALIMENTATION 5G 2.5 POUR VERS. 400V 3N | No. |
| 2 | 4025-0002 | | RESISTENZA BOILER 220-240V 2.7kW (*) | RESISTANCE 2,7kW 220-240V (*) | RÉSISTANCE 2,7kW 220-240V (*) | No. |
| 3 | 00000057 | | OR PER FLANGIA BOILER | OR FOR BOILER FLANGE | OR POUR BRIDE DU CHAUDIÈRE (*) | No. |
| 4 | 0130400001 | | RESISTENZA 220-240V 2.4kW (*) | RESISTANCE 2,4kW 220-240V (*) | RÉSISTANCE 2,4kW 220-240V (*) | No. |
| 5 | 00004913 | | TERMOSTATO BIMETALL. A R.M. (*) | MANUAL RESET SAFETY THERMOSTAT (*) | THERMOSTAT DE SECURITÉ À RÉARM. MANUEL (*) | No. |
| 6 | 0231400003 | | SUPPORTO DOSATORI TERMOSTATI | DETERGENT DISPENSER SUPPORT | DOSEUR SOUTIEN | No. |
| 7 | 4020-0001 | | TERMOSTATO BIMETALLICO 95° FAST-ON | SAFETY THERMOSTAT 95° FAST-ON | THERMOSTAT DE SECURITÉ 95° FAST-ON | No. |
| 8 | 4011-0002 | | SONDA NTC AMP MODU II PER BOILER/VASCA (*) | NTC PROBE AMP MODU II FOR BOILR/TANK (*) | SONDE NTC AMP MODU II POUR CHAUDIÈRE/RÉSERVOIR (*) | No. |
| 9 | 0740100001 | | SUPPORTO ELETTRICO | ELECTRICAL SUPPORT | SUPPORT ELETRIQUE | No. |
| 10 | 4030-0002 | | SCHEDA ELETTRONICA 12 RELE' | ELECTRONIC CARDBOARD | CARTE ÉLECTRONIQUE | No. |
| 11 | 1020-0001 | | DISTANZIALE SCHEDA ELETTRONICA | SPACER FOR ELECTRONIC TIMER | ESPACEUR DE CARTE ÉLECTRONIQUE | No. |
| 12 | 4055-0002 | | MORSETTIERA FV 110 40A 450V MONOFASE | TERMINAL BOARD FV 110 40A450V SINGLE PHASE | BLOC TERMINAL PV 110 40A 450V MONOPHASE | No. |
| 12A | 4055-0001 | | MORSETTIERA FV 122 40A 450V PER VERS. 400V 3N | TERMINAL BOARD FV 122 40A450V FOR VERS. 400V 3N | BLOC TERMINAL PV 122 40A 450V POUR VERS. 400V 3N | No. |
| 13 | 00002779 | | FILTRO ANTIDISTURBO 0,47 uF | FILTER 0,47 uF | FILTRE ANTIPARASITE 0.47 uF | No. |
| 14 | 00000388 | | FASCETTA BIFIL. Ø14.4X15.1 | CLAMP Ø14.4X15.1 | COLLIER Ø14.4X15.1 | No. |
| 15 | 00016403 | | PRESSOSTATO LIVELLO 28/12 (*) | PRESSURE SWITCH 28/12 (*) | PRESSOSTAT DE NIVEAU D'EAU 28/12 (*) | No. |
| 16 | 00012685 | | MICROINTERRUTTORE MAGNETICO (*) | MICRO SWITCH (*) | CAPTEUR MAGNETIQUE OUV. DE PORTE (*) | No. |
| 17 | 00000394 | | ELETTROVALV. SING. 90° 230V (*) | SINGLE SOLEN. VALVE 90° 230V (*) | ELECTROV. UNIQUE 90° 230V (*) | No. |
| 18 | 00005140 | | TELERUTTORE 230V 50-60Hz PER VERS. 400V 3N | CONTACTOR 230V 50-60Hz FOR VERS. 400V 3N | TELERUPETUR 230V 50-60Hz POUR VERS. 400V 3N | No. |

(*) RICAMBI CONSIGLIATI / RECOMMENDED SPARE PARTS / PIECES DETACHEES RECOMMANDEES

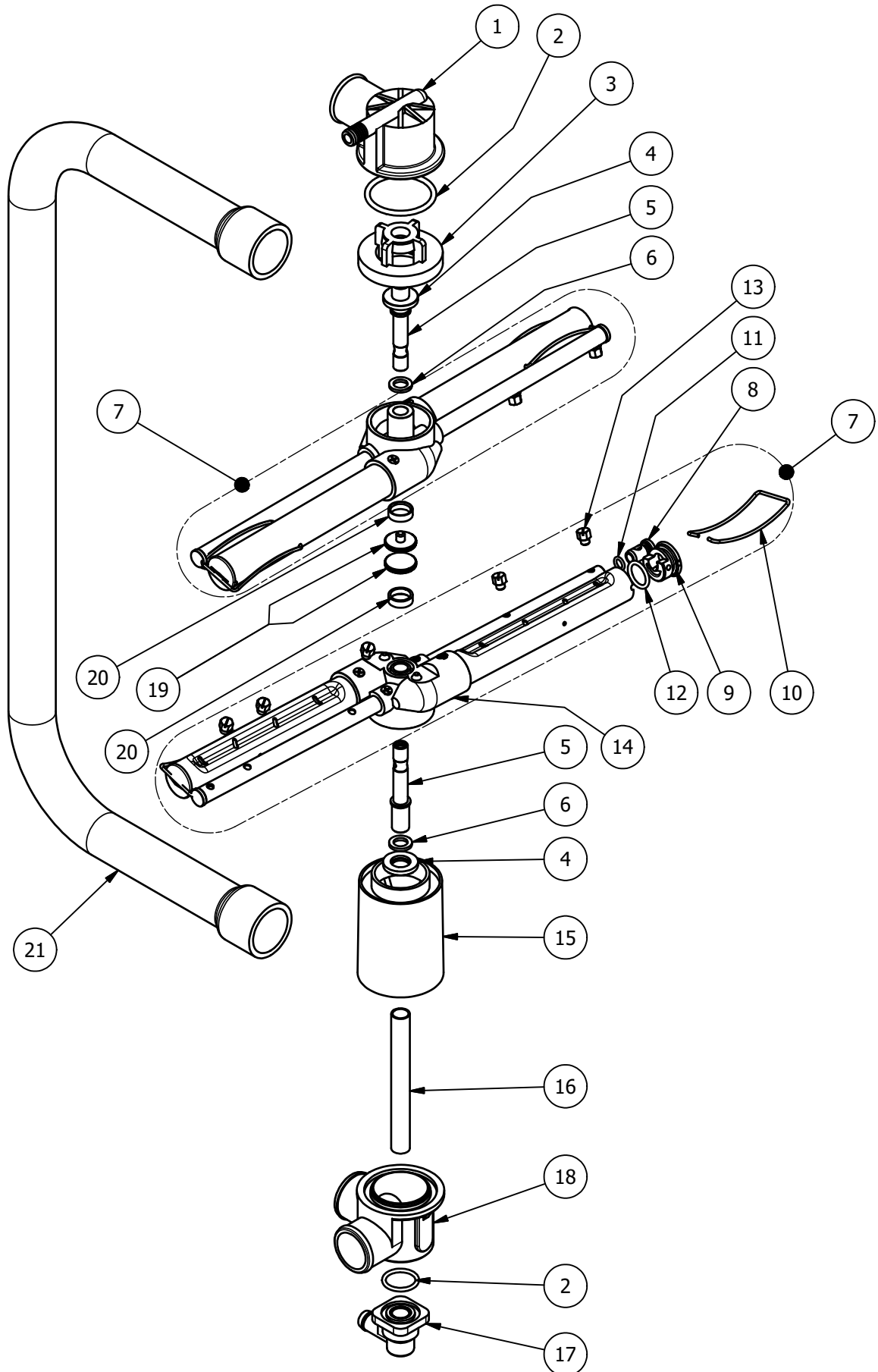


REV.00
(07/2020)TYPE 4020-4120
COMPONENTI IDRAULICI - HYDRAULIC COMPONENTS - COMPOSANT HYDRAULIQUES

TAV.3_2

| ELEM. | CODICE | DA/FROM MATR. | DESCRIZIONE | DESCRIPTION [EN] | DESCRIPTION [FR] | U.M. |
|-------|------------|------------------|----------------------------------|--------------------------------------|-------------------------------------|------|
| 1 | 00000139 | | TUBO CARICO L=2000mm | WATER INLET HOSE L=2000mm | TUYAU D'ENTRÉE L=2000mm | No. |
| 2 | 8309-0003 | | BOILER ATM 4Lt | BOILER ATM 4Lt | CHAUDIÈRE ATM 4Lt | No. |
| 3 | 1030-0001 | | FASCETTA BIFIL. Ø 11,0-10,4 | WIRE CLAMP Ø 11,0-10,4 | PINCE À DEUX FILS Ø 11,0-10,4 | No. |
| 4 | 2050100003 | | POZZETTO SCARICO ASPIRAZIONE | EXHAUST COCKPIT | PUITS DU FILTRE | No. |
| 5 | 0271500002 | | TUBO SCARICO90° L=2500 mm | DRAIN HOSE L=2500mm | TUYAU DE REFOULEMENT L=2500 | No. |
| 6 | 0220100002 | | MANICOTTO ASPIRAZIONE | SUCTION PUMP SLEEVE | MANCHON D'ASPIRATION | No. |
| 7 | 6001-0002 | | POMPA LAVAGGIO 230V 50Hz | WASHING PUMP 230V 50Hz | POMPE DE LAVAGE 230V 50Hz | No. |
| 7A | 6001-0009 | | POMPA LAVAGGIO 230V 60Hz | WASHING PUMP 230V 60Hz | POMPE DE LAVAGE 230V 60Hz | No. |
| 8 | 0220200003 | | MANICOTTO MANDATA POMPA | PUMP DELIVERY SLEEVE | MANCHON DE LIVRAISON | No. |
| 9 | 00017178 | | GUARNIZIONE TROPPOPIENO | OVERFLOW GASKET | JOINT DU TROP PLEIN | No. |
| 10 | 0080600004 | | GUARNIZIONE POZZETTO | EXHAUST COCKPIT GASKET | JOINT DU Puits DU FILTRE | No. |
| 11 | 0235200003 | | GHIERA GRUPPO FILTRANTE | THREADED RING FOR FILTERING GROUP | BAGUE POUR FILTRE | No. |
| 12 | 0470900002 | | FILTRO GRUPPO FILTRANTE | FILTER OF FILTERING GROUP | FILTRE CUVE | No. |
| 13 | 0320200007 | | TROPPOPIENO VASCA | OVERFLOW | TROP PLEIN EN PLASTIQUE | No. |
| 14 | 00000388 | | FASCETTA BIFIL. Ø14.4X15.1 | CLAMP Ø14.4X15.1 | COLLIER Ø14.4X15.1 | No. |
| 15 | 00002933 | | TUBETTO TENUTA GABBIA D'ARIA | AIR TRAP JUNCTION | JONCTION POUR TRAPPE D'AIR | No. |
| 16 | 00002927 | | RACCORDO ANTICONDENSA | FITTING | RACCORD ANTI-CONDENSATION | No. |
| 17 | 00000391 | | FASCETTA BIFIL. Ø19.6x20.6 | CLAMP Ø19.6x20.6 | COLLIER Ø19.6x20.6 | No. |
| 18 | 00003536 | | DADO GABBIA D'ARIA | NUT FOR AIR TRAP | ÉCROU POUR TRAPPE DE L'AIR | No. |
| 19 | 00002934 | | OR 4081 | OR 4081 | OR 4081 | No. |
| 20 | 0480100001 | | GABBIA D'ARIA VASCA (*) | AIR TRAP (*) | TRAPPE D'AIR (*) | |
| 21 | 00016449 | | POMPA SUPPL. 0.25kW 230V 50Hz | BOOSTER PUMP 0.25kW 230V 50Hz | POMPE ADD. 0.25kW 230V 50Hz | No. |
| 22A | 6002-0001 | | POMPA SUPPL. 0.25kW 230V 60Hz | BOOSTER PUMP 0.25kW 230V 60Hz | POMPE ADDL. 0.25kW 230V 50Hz | No. |
| 22 | 3040-0032 | | TUBO CARICO BOILER ATM | CHARGE HOSE BOILER ATM | TUBE DE CHARGEMENT CHAUDIÈRE ATM | No. |
| 23 | 00015941 | | AIR BREAK | AIR BREAK | AIR BREAK | No. |
| 24 | 00015778 | | GUARNIZIONE PIANA AIR BREAK | PLANAR GASKET AIR BREAK | JOINT PLANAIRE AIR BREAK | No. |
| 25 | 00015777 | | ORING AIR BREAK | ORING AIR BREAK | ORING AIR BREAK | No. |
| 26 | 00015779 | | GHIERA - AIR BREAK | THREADED RING FOR AIR BREAK | BAGUE POUR AIR BREAK | No. |
| 27 | 00016028 | | PROTEZIONE | PROTECTION | PROTECTION | No. |
| 28 | 00004120 | | DISTRIBUTORE A TRE VIE | THREE-WAY DISTRIBUTOR | DISTRIBUTEUR TROIS VOIES | No. |
| 29 | 2020-0002 | | RID. DI PORTATA 5,5 [L/min] | INLET REG. 5,5 [L/min] | RÉG. DE DÉBIT 5,5 [L/min] | No. |

(*) RICAMBI CONSIGLIATI / RECOMMENDED SPARE PARTS / PIÈCES DÉTACHÉES RECOMMANDÉES



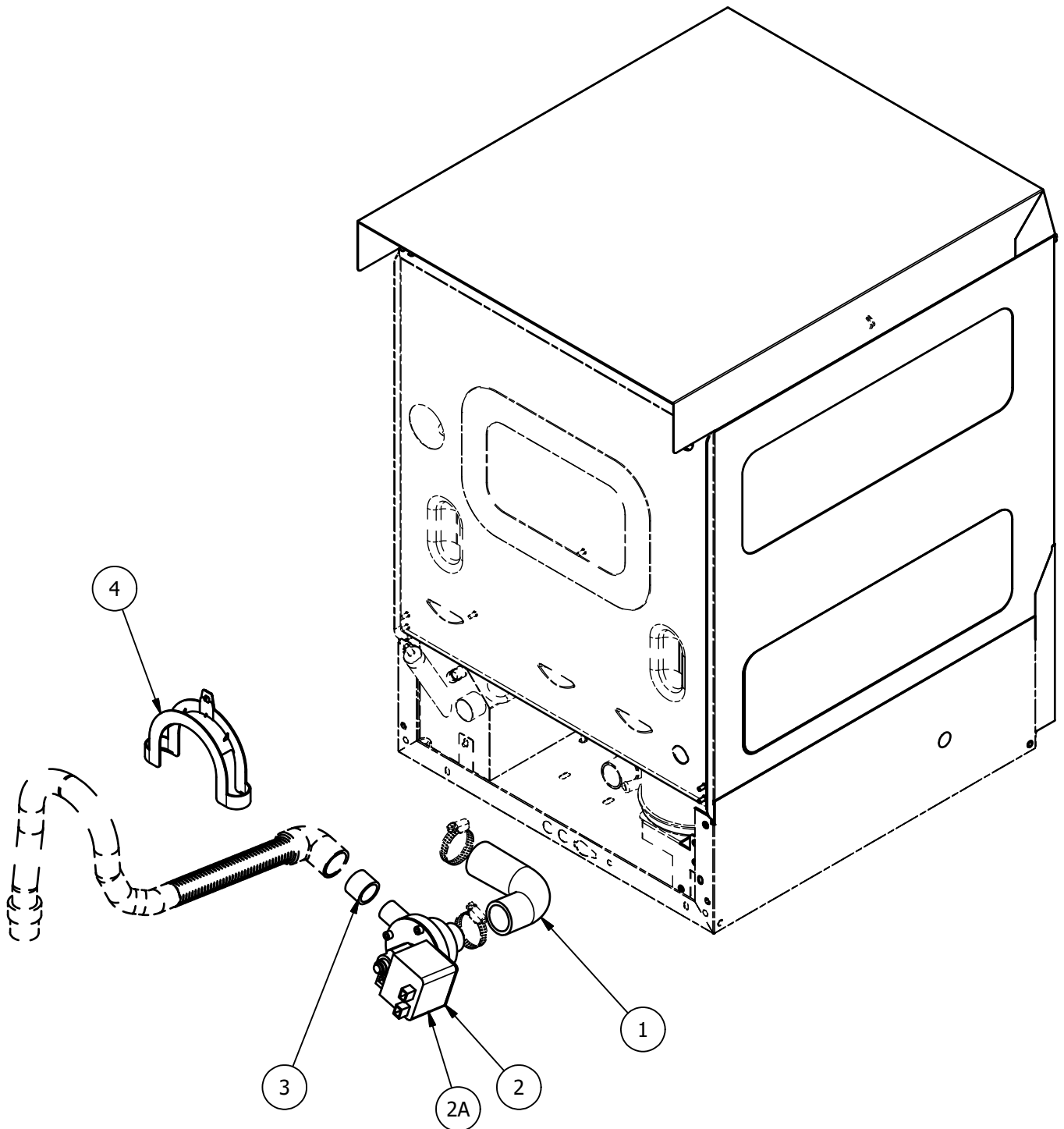
REV.00
(07/2020)

TYPE 4020-4120
BRACCI DI LAVAGGIO/RISCIACQUO - WAS/RINSE ARMS - BRAS DE LAVAGE/RINCAGE

TAV.4_2

| ELEM. | CODICE | DA/FROM MATR. | DESCRIZIONE | DESCRIPTION [EN] | DESCRIPTION [FR] | U.M. |
|-------|------------|------------------|---------------------------------|---------------------------------|---|------|
| 1 | 00003515 | | CONCHIGLIA SUP. GRIGIO | DRAIN | BONDE | No. |
| 2 | 00001633 | | OR 147 | OR 147 | OR 147 | No. |
| 3 | 00012208 | | FLANGIA A BOCCAGLIO | FLANGE | BRIDE | No. |
| 4 | 00004671 | | RONDELLA DI APPOGGIO | WASHER | RONDELLE D'APPUI | No. |
| 5 | 00002153 | | FULCRO CROCIERA | WASHING SHAFT PIN | AXE BRAS LAVAGE | No. |
| 6 | 00001173 | | RONDELLA PER GIRANTE (*) | WASHING ARM WASHER (*) | RONDELLE POUR BRAS DE LAV. (*) | No. |
| 7 | 0162500002 | | ASS. GIRANTE LAVAGGIO | WASHING ARM | BRAS DE LAVAGE | No. |
| 8 | 00002502 | | TAPPO RISCIACQUO (*) | RINSE ARM PLUG (*) | BOUCHON BRAS DE RINCAGE (*) | No. |
| 9 | 00002650 | | TAPPO TUBI LAVAGGIO (*) | WASHING ARM CAP (*) | BOUCH. BRAS DE LAVAGE (*) | No. |
| 10 | 00002654 | | MOLLA AD ARCHETTO | SPRING | RESSORT | No. |
| 11 | 00002531 | | OR 106 | OR 106 | OR 106 | No. |
| 12 | 00000093 | | OR 121 | OR 121 | OR 121 | No. |
| 13 | 00017155 | | UGELLO RISCIACQUO INOX | RINSE NOZZLE | GICLEUR RINCAGE | |
| 14 | 00001954 | | DISTRIBUTORE 4RP (*) | CONNECTOR (*) | CONNECTEUR (*) | No. |
| 15 | 00012193 | | COPRITIRANTE | COVER | COUVRE-TIRANT | No. |
| 16 | 00012996 | | TIRANTE INFERIORE | FIXING PART | TIRANT INFERIEUR | No. |
| 17 | 00010620 | | RACCORDO 90° M13x1 | 90° M13x1 PLASTIC CONNECTION | RACCORD POUR TUYAU DE RINCAGE INFERIEUR 90° M13x1 | No. |
| 18 | 0330700001 | | DISTRIBUTORE DOPPIO LAVAGGIO | DOUBLE WASH DISTRIBUTOR | DISTRIBUTEUR DOUBLE LAVAGE | No. |
| 19 | 00001133 | | VITE INOX GODRONATA (*) | S.S. KNURLED SCREW (*) | VIS INOX GODRONNE' (*) | No. |
| 20 | 00002808 | | ANELLO PTFE (*) | PTFE RING (*) | JOINT EN PTFE (*) | No. |
| 21 | 00003474 | | RAMPA LAVAGGIO | WASH PIPE | TUYAU DE LAVAGE | No. |

(*) RICAMBI CONSIGLIATI / RECOMMENDED SPARE PARTS / PIECES DETACHEES RECOMMANDEES



KIT POMPA DI SCARICO COMPLETO - COMPLETE DRAIN PUMP KIT - KIT POMPE DE VIDANGE COMPLET: 8395-0002

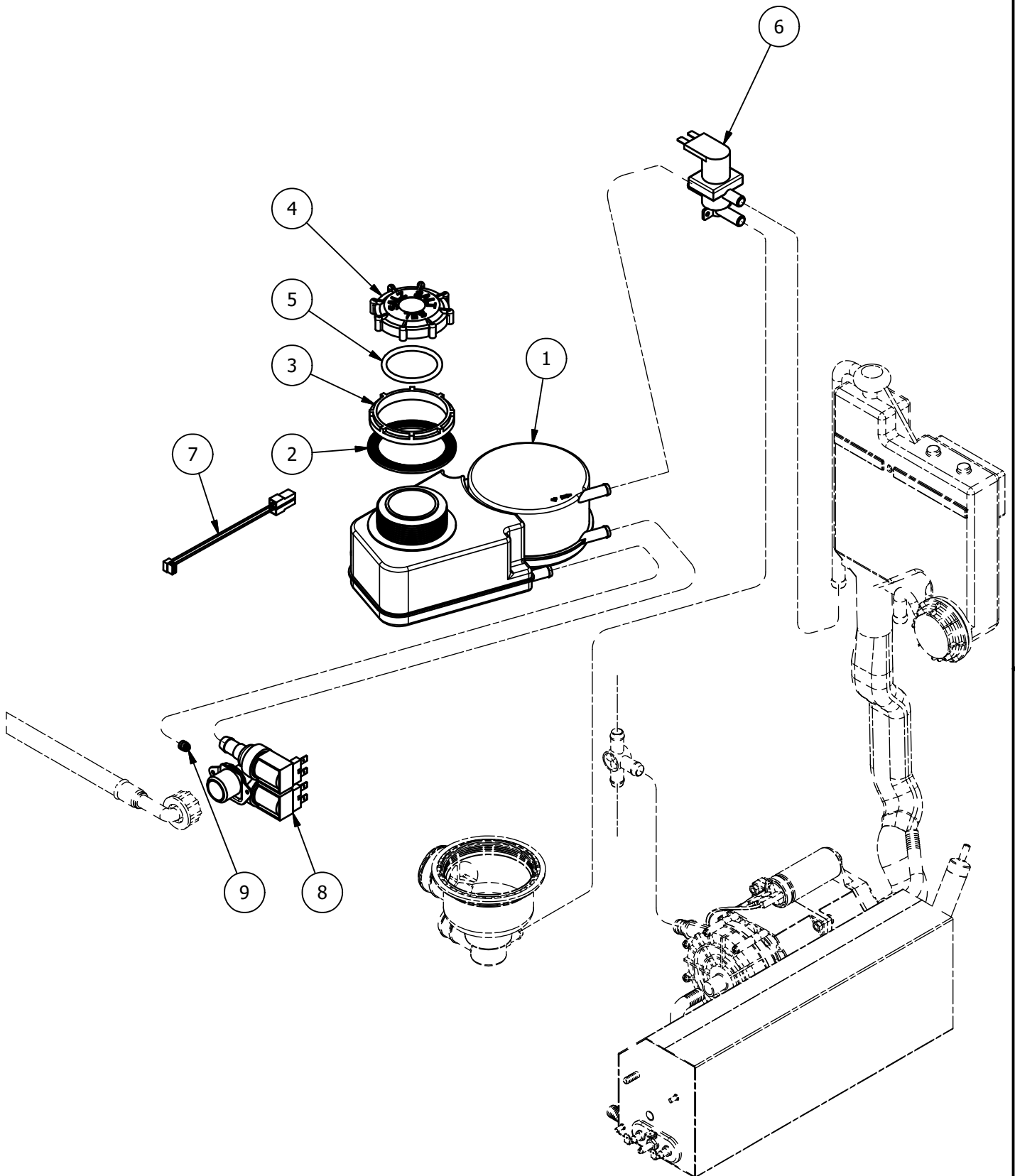
REV.00
(07/2020)

TYPE 4020-4120
KIT POMPA DI SCARICO - KIT DRAIN PUMP - KIT POMPE DE VINDAGE

TAV.5_2

| ELEM. | CODICE | DA/FROM MATR. | DESCRIZIONE | DESCRIPTION [EN] | DESCRIPTION [FR] | U.M. |
|-------|-----------|------------------|---------------------------------------|--------------------------|-----------------------------------|------|
| 1 | 00004985 | | MANICOTTO IN GOMMA | RUBBER HOSE | TUYAU EN GOMME | No. |
| 2 | 00009563 | | POMPA DI SVUOTAMENTO 230V 50Hz (*) | DRAIN PUMP 230V 50Hz (*) | POMPE DE VIDANGE 230V 50Hz (*) | No. |
| 2A | 6006-0001 | | POMPA DI SVUOTAMENTO 230V 60Hz (*) | DRAIN PUMP 230V 60Hz (*) | POMPE DE VIDANGE 230V 60Hz (*) | No. |
| 3 | 3040-0002 | | TUBO EPDM | EPDM HOSE | TUYAU EN EPDM | No. |
| 4 | 00016395 | | CURVA SUPPORTO TUBO SCARICO | DRAIN HOSE SUPPORT | SUPPORT DU TUYAU D'ÉCHAPPEMENT | No. |

(*) RICAMBI CONSIGLIATI / RECOMMENDED SPARE PARTS / PIECES DETACHEES RECOMMANDEES



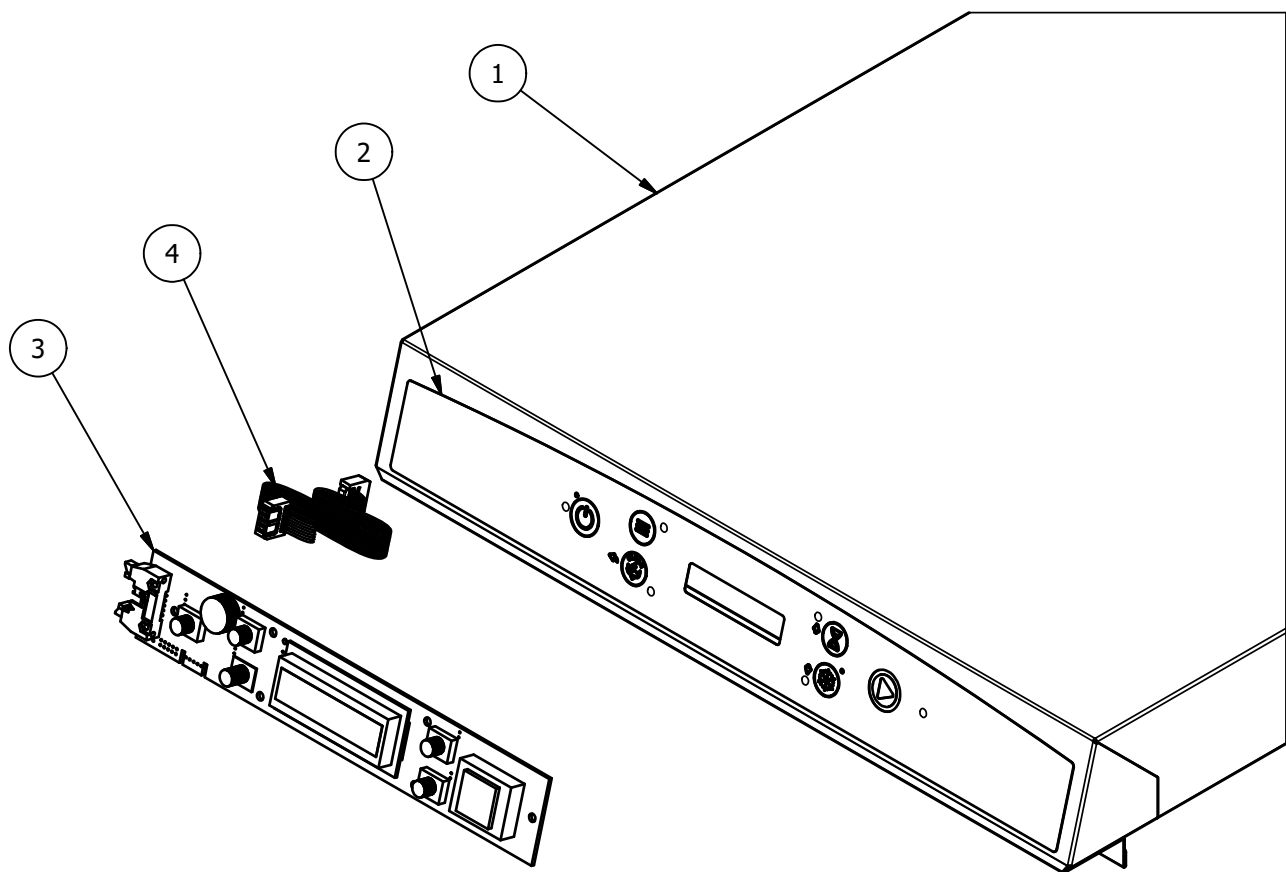
REV.00
(07/2020)

TYPE 4020-4120
ADDOLCITORE - WATER SOFTNER - ADOUCISSEUR

TAV.6_2

| ELEM. | CODICE | DA/FROM MATR. | DESCRIZIONE | DESCRIPTION [EN] | DESCRIPTION [FR] | U.M. |
|-------|-----------|------------------|---|--|--------------------------------------|------|
| 1 | 00017209 | | ASS. ADDOLCITORE AUTOMATICO | AUTOM. WATER SOFTNER ASSY | ENS. DU L'ADOUCCISSEUR | No. |
| 2 | 00006152 | | GUARNIZIONE | GASKET | JOINT | No. |
| 3 | 2019-0001 | | GHIERA ADDOLCITORE | THREADED RING OF WATER SOFTNER | BAGUE POUR L'ADOUCCISSEUR | No. |
| 4 | 2006-0001 | | TAPPO ADDOLCITORE | WATER SOFTNER CAP | CAP DU L'ADOUCCISSEUR | No. |
| 5 | 2060-0004 | | OR TAPPO ADDOLCITORE | CAP OR | OR DU CAP | No. |
| 6 | 00015785 | | ELETTROV. DOPPIA USCITA (*) | SOLENOID VALVE DOBLE EXIT (*) | ÉLECTROVANNE À DOUBLE SORTIE (*) | No. |
| 7 | 4040-0003 | | CAVO COLLEGAMENTO ADDOLCITORE AUTOMATICO | WATER SOFTNER CONNECTION CABLE | CÂBLAGE DU L'ADOUCCISSEUR | No. |
| 8 | 2017-0001 | | ELETTROV. DOPPIA 90° 230V 50/60Hz (*) | SOLENOID VALVE 90° 230V 50/60Hz (*) | ÉLECTROVANNE 90° 230V 50/60Hz (*) | No. |
| 9 | 00006524 | | RIDUTTORE DI PORTATA 0.5 L/MIN | FLOW REDUCER 0.5 L/MIN | RÉDUCTEUR DE DÉBIT 0.5 L/MIN | No. |

(*) RICAMBI CONSIGLIATI / RECOMMENDED SPARE PARTS / PIECES DETACHEES RECOMMANDEES



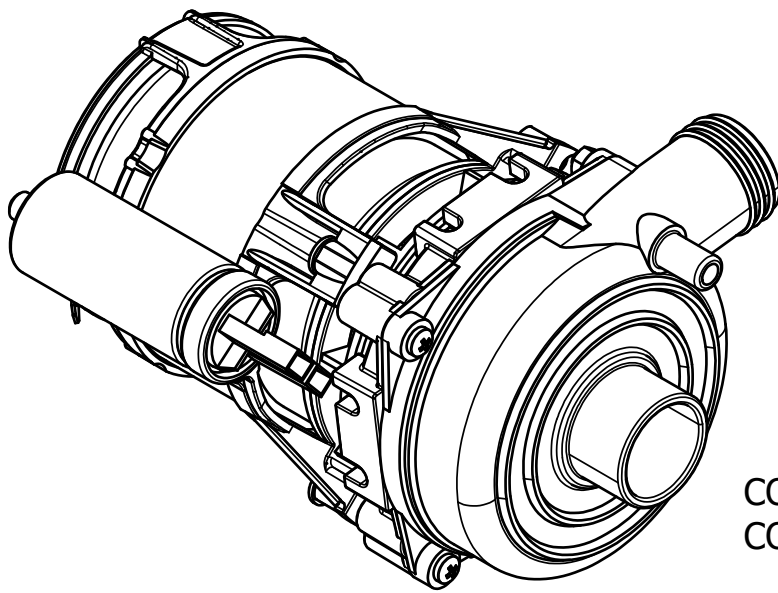
REV.00
(07/2020)

TYPE 4020-4120
PANNELLO COMANDI - FRONT PANEL - PANNEAU DE CONTROLE

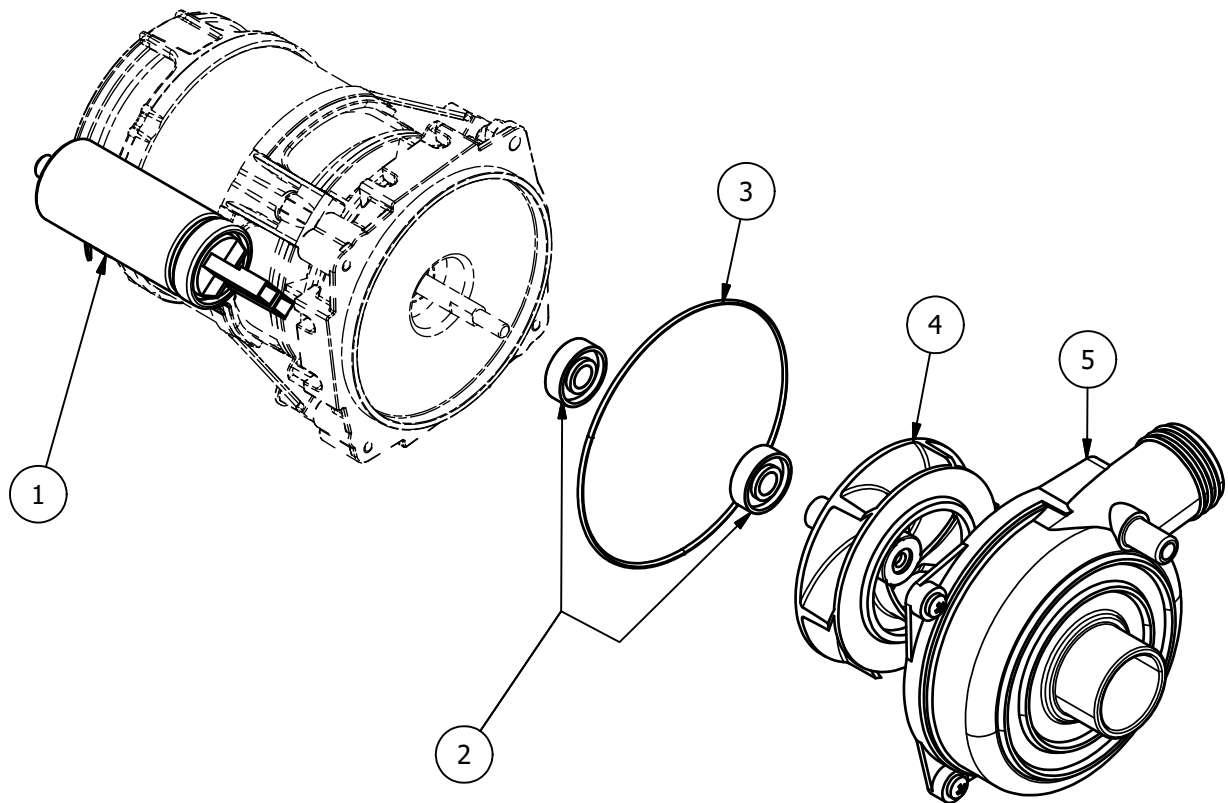
TAV.7_2

| ELEM. | CODICE | DA/FROM MATR. | DESCRIZIONE | DESCRIPTION [EN] | DESCRIPTION [FR] | U.M. |
|-------|------------|------------------|-----------------------|-------------------------|---------------------------------|------|
| 1 | 1750100003 | | ASS. CAPOTTINA | UPPER COVER ASSY | ENSEMBLE COUVERCLE SUPÉRIEUR | No. |
| 2 | | | MEMBRANA ADESIVA | ADHESIVE LABEL | MEMBRANE ADHÉSIVE | No. |
| 3 | 4035-0001 | | DISPLAY 6 TASTI (*) | 6 KEYS DISPLAY (*) | AFFICHAGE À 6 BOUTONS (*) | No. |
| 4 | 4040-0005 | | CAVO FLAT 10 FILI (*) | 10 WIRES FLAT CABLE (*) | CÂBLE PLAT À 10 FILS (*) | No. |

(*) RICAMBI CONSIGLIATI / RECOMMENDED SPARE PARTS / PIECES DETACHEES RECOMMANDEES



COD. 6001-0002 (230V 50Hz)
COD. 6001-0009 (230V 60Hz)



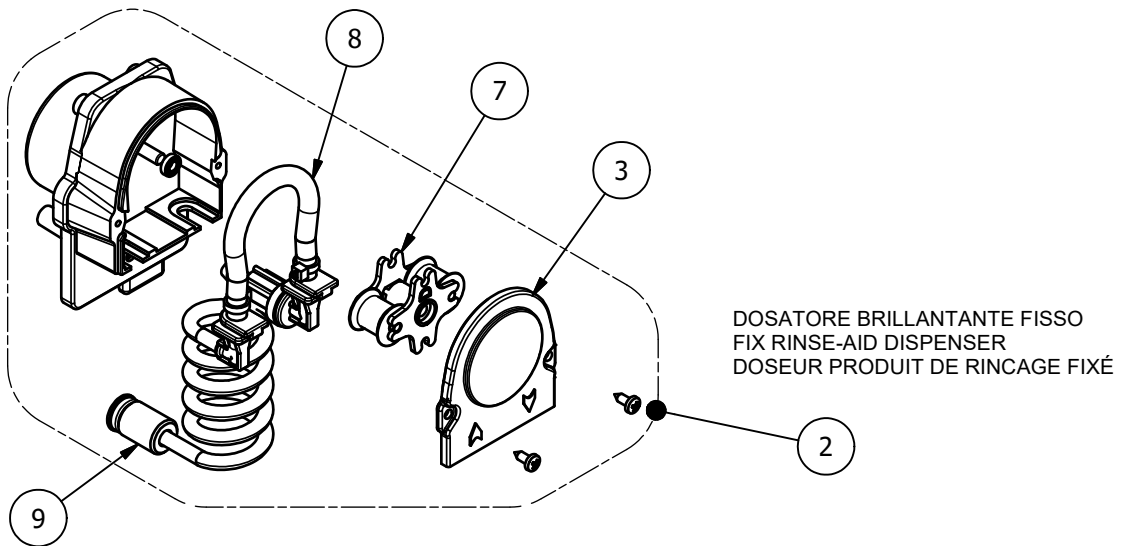
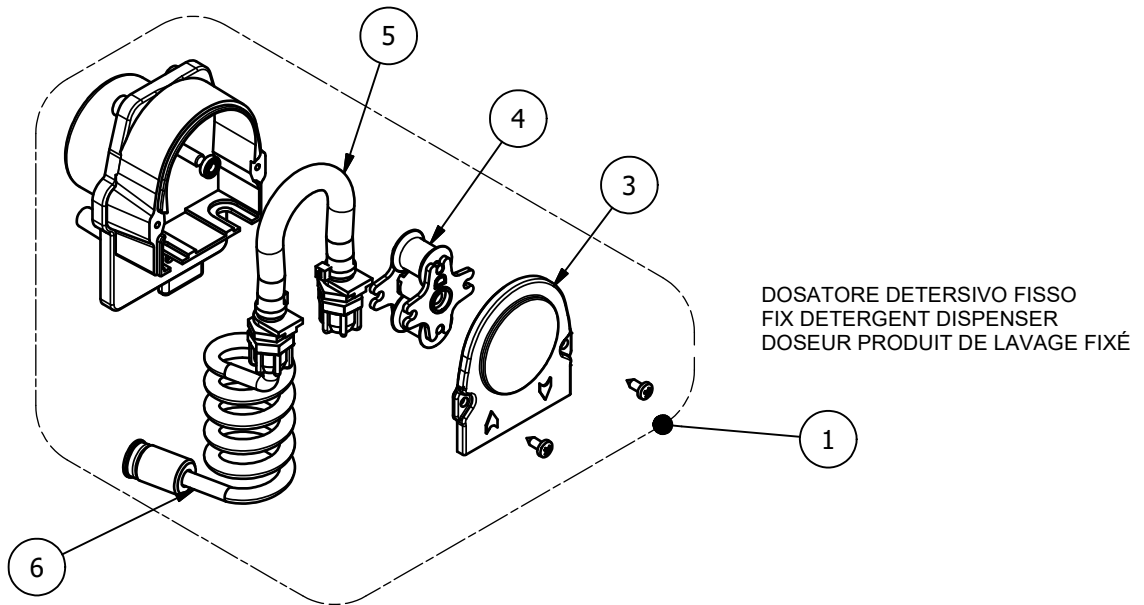
REV.00
(07/2020)

TYPE 4020-4120
POMPA DI LAVAGGIO - WASHING PUMP - POMPE DE LAVAGE

TAV.8_2

| ELEM. | CODICE | DA/FROM MATR. | DESCRIZIONE | DESCRIPTION [EN] | DESCRIPTION [FR] | U.M. |
|-------|-----------|------------------|---|--------------------------------|---------------------------|------|
| 1 | 2080-0003 | | CONDENSATORE 8uF P2 - L63.T30 | CAPACITOR 8µF | CONDENSATEUR 8µF | No. |
| 2 | 8395-0015 | | KIT TENUTA ROTANTE | SEAL KIT | KIT D'ÉTANCHÉITÉ | No. |
| 3 | 00014574 | | GUARNIZIONE OR 91,7x1,78 NBR POMPA OLYMPIA (13893) - | GASKET | JOINT | No. |
| 4 | 8304-0006 | | GIRANTE POMPA - L63.T30 SX | D.80 IMPELLER FOR 50Hz PUMP | ROUE D.80 POUR 50hZ POMPE | No. |
| 4A | 2068-0002 | | GIRANTE d.50 PER POMPA 60Hz | D.50 IMPELLER FOR 60Hz PUMP | ROUE D.50 POUR 60hZ POMPE | No. |
| 5 | 00014572 | | CHIOCCIOLA D.93 SX POMPA OLYMPIA (13893) - | PUMP CASE | CARTER POUR POMPE | No. |

(*) RICAMBI CONSIGLIATI / RECOMMENDED SPARE PARTS / PIECES DETACHEES RECOMMANDEES



REV.00
(07/2020)

TYPE 4020-4120

DOS. DET. E BRILL. - DETERG. AND RINSE-AID DISPENSER - DOS. PRODUIT DE LAV. ET RINC.

TAV.9_2

| ELEM. | CODICE | DA/FROM MATR. | DESCRIZIONE | DESCRIPTION [EN] | DESCRIPTION [FR] | U.M. |
|-------|-----------|------------------|--|---|--|------|
| 1 | 00016182 | | ASS. DOS.DETER. ELETTR. FISSO 3Lt/h | FIX DETER. DISPENSER 3Lt/h | DOSEUR PRODUIT DE LAV. FIXE 3Lt/h | No. |
| 2 | 8395-0011 | | ASS. DOS. BRILL. ELETTR. FISSO 0.5Lt/h | FIX RINSE AID DISPENSER 0.5Lt/h | DOSEUR RINCAGE FIXE 0.5Lt/h | No. |
| 3 | 8395-0013 | | COPERCHIO DI CHIUSURA | COVER ASSY | COUVERTURE DE FERMETURE | No. |
| 4 | 00006632 | | ASS. PORTARULLI DOS. DETERSIVO (*) | DETERGENT DISPENSER ROLL HOLDER ASSY (*) | ENSEMBLE SUPPORT DE ROULEAU DOSEUR PRODUIT DE LAV. (*) | No. |
| 5 | 00017128 | | TUBO INTERNO DOSAT. DETERSIVO (*) | INTERNAL DETERG. DISPENSER HOSE (*) | TUBE INTERNE POUR DOSEUR PRODUIT DE LAV. (*) | No. |
| 6 | 00005069 | | ASS. FILTRO DOSAT. DETERS. CON TUBO | DETERG. DISPENS. FILTER ASSY | ENS. DU FILTRE DU DOSEUR PRODUIT DE LAV. AVEC TUBE | No. |
| 7 | 8395-0014 | | ASS. PORTARULLI DOS. BRILL. (*) | RINSE AID DISPENSER ROLL HOLDER ASSY (*) | ENSEMBLE SUPPORT DE ROULEAU DOSEUR RINC. (*) | No. |
| 8 | 8395-0012 | | TUBO INTERNO DOSAT. BRILLANTE CON VALV. (*) | INTERNAL RINSE AID DISP. HOSE WITH VALVE (*) | TUBE INTERNE POUR DOSEUR RINC. AVEC VANNE(*) | No. |
| 9 | 00005070 | | ASS. FILTRO DOSAT. BRILL. CON TUBO | RINSE AID DISPENS. FILTER ASSY | ENS. DU FILTRE DU DOSEUR RINCAGE AVEC TUBE | No. |

(*) RICAMBI CONSIGLIATI / RECOMMENDED SPARE PARTS / PIECES DETACHEES RECOMMANDEES