



TECHNICAL DATA SHEET

Mod. EGS 40

GENERAL FEATURES

- Rack size **40x40 cm**
- Gross weight: 50 Kg
- Washing cycles / racks/hour: 90"-120"-180"-9'/40-30-20-7
- Top and bottom wash/rinse arm
- Wash pump: 330 W
- Boiler capacity: 3 liters
- Tank capacity: 12 liters
- Boiler heating element: 2,7 kW
- Tank heating element: 2,4 kW
- Water quantity per cycle: 2 liters
- Electronic controls with LCD display
- Useful washing height: 290 mm
- Magnetic door microswitch
- Automatic water filling
- Double electric detergent and rinse-aid dispenser
- Hot rinse
- Thermostop function
- PRS system (Atmospheric boiler+Break tank+rinsing pump)
- Green function for energy saving
- Automatic end-of-day self-cleaning of wash tank
- Washing pump with "soft-start"

FILTRATION

- Plastic wash pump filter, easily removable

BODY

- AISI 304 stainless steel body
- Partial double skinned body
- Preformed wash tank
- Preformed rack guides
- Double skinned door
- Door handle in s/s
- Wash/rinse arms in s/s, easily removable
- Boiler in s/s AISI 316

EQUIPMENT AS GLASSWASHER

- 2 glass racks 40x40 cm
- 1 cutlery small basket
- 1 insert for saucers
- 1 inlet hose (length 2 mt)
- 1 drain hose (length 2,5 mt)

OPTIONAL

- Drain pump
- Hot water filling (max 85°C)
- 380-415V 3N~ version
- 60Hz version
- Kit high feet
- Kit surface filters

ACCESSORIES FOR THE WATER TREATMENT

- Built-in water softener ("S" version)
- External water softener

ACCESSORIES

- Special racks (round Ø40 cm)
- S/S stand height 550 mm

INSTALLATION

- Use the screws of the feet and a spirit level to ensure that the machine is levelled

MAIN POWER SUPPLY

- The voltage of main power supply must be compatible with the rated voltage
- The machine must be connected to a suitable earth (ground) system
- Connect the machine power socket to the multipole wall switch provide

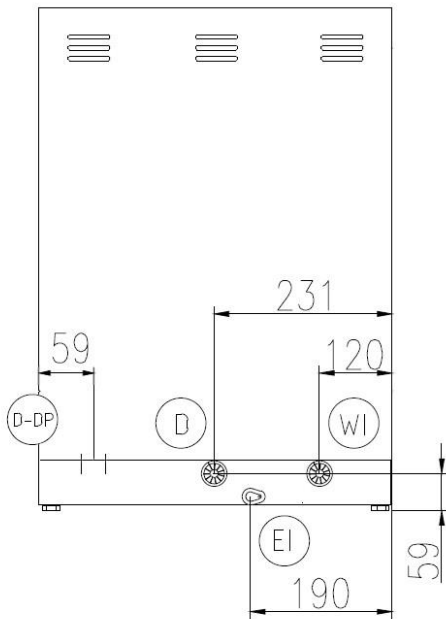
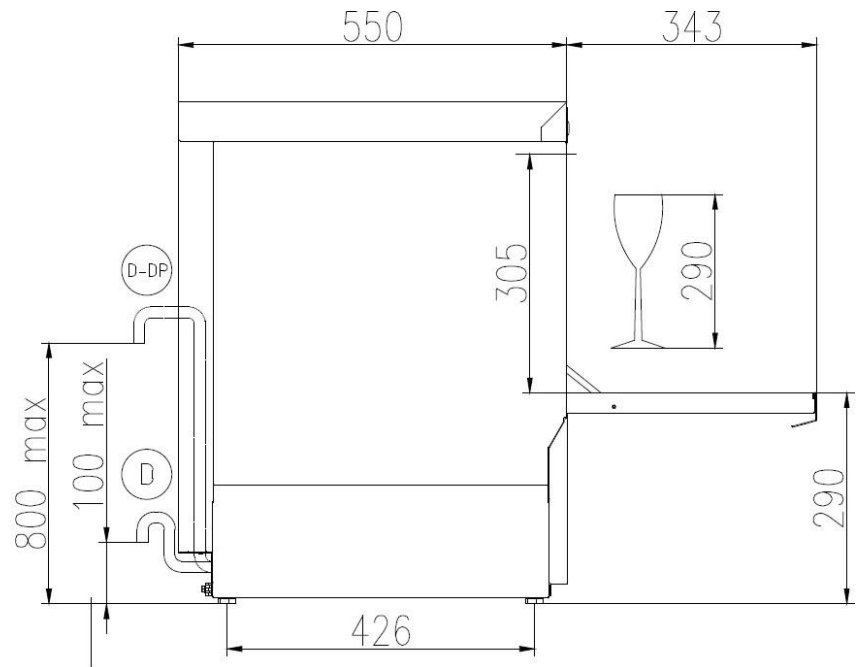
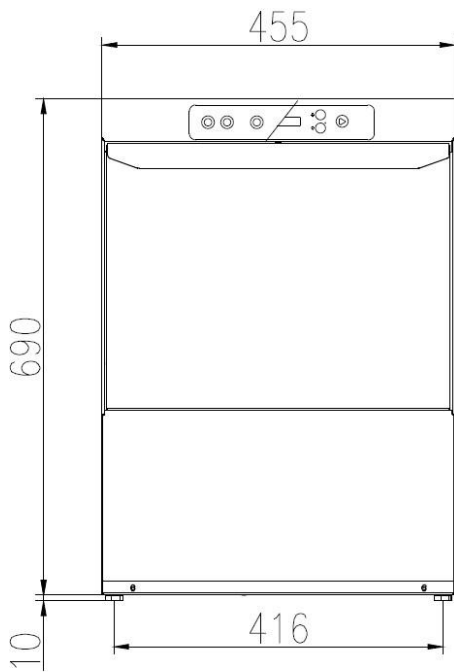
WATER SUPPLY CONNECTION

- A water softener must be installed if the water is hard
- The water pressure must be between 0.1MPa (1 bar) and 0.5MPa (5 bar)
- The temperature of the water supply must be between 10°C to 50°C (max 25°C with water softener)

TECHNICAL SPECIFICATIONS

- Electrical supply: **220-240V / 380-415V 3N~ 50 Hz**
- Total power: **3,03 kW**
- Absorbed current: **14 A / 4 A**
- Power cord supply size: **3 x 1,5 mm² / 5 x 1,5 mm²**

EGS 40

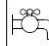
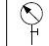



- EI
 CAVO DI ALIMENTAZIONE
 POWER CORD SUPPLY
 CABLE D'ALIMENTATION
 CABLE DE ALIMENTACION

- WI
 CANNA DI CARICO G 3/4 L=2000 mm
 G 3/4 INLET HOSE L=2000 mm
 TUYAU D'ALIMENTATION G 3/4" L=2000 mm
 TUBO DE ALIMENTACION G 3/4" L=2000 mm

- D
 TUBO DI SCARICO Ø 29 mm L=2500 mm
 DRAIN HOSE Ø 29 mm L=2500 mm
 TUYAU DE VIDANGE Ø 29 mm L=2500 mm
 TUBO DE DESAGUE Ø 29 mm L=2500 mm

- D-DP
 TUBO DI SCARICO Ø 29 mm L=2500 mm (CON POMPA SCARICO)
 DRAIN HOSE Ø 29 mm L=2500 mm (WITH DRAIN PUMP)
 TUYAU DE VIDANGE Ø 29 mm L=2500 mm (AVEC POMPE DE VIDANGE)
 TUBO DE DESAGUE Ø 29 mm L=2500 mm (CON POMPA DE DESAGUE)

	Min 10°C—MAX 50°C
	Min 10°C—MAX 25°C with ENERGY RECOVERY
	200÷500kPa(2÷5 Bar)
	100÷500kPa(1÷5 Bar) with ATMOSPHERIC BOILER
	HARDNESS 5÷20'f—2.8÷11'd